

Indoor P2.5 led display quotation

Shipping Mall

Station

Airport

Gymnasium



شرکت مهندسی نقش آوران
-۲۱-۸۸۷۵۱۷۷۷



Seamless



< 0.1mm
flatness error



Low heating-up



Long lifetime

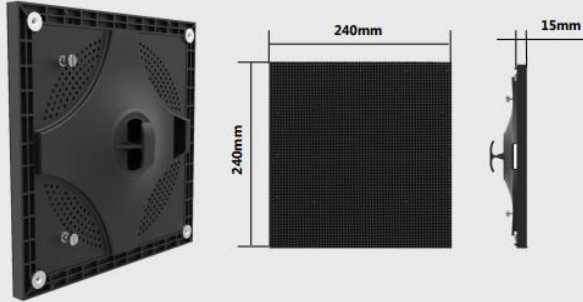


Low fault rate



Safe operation

Module Parameters



Pixel Pitch	2.5 mm
Resolution	96 x 96
Pixel Quantity	9216
Dimension	240 mm x 240 mm
Pixel Configuration	SMD2020
Driving Mode	1/32scan
Application	Indoor
Weight	0.7Kg

Panel Parameters

Dimension	480 mm (W) x 480 mm (H) 67 mm (T)
Resolution	192 x 192
Pixel Quantity	36864
Module Quantity	2 pcs x 2 pcs
Material Quantity	Di-casting magnesium
Weight	5.8Kg
Signal Interface	DVI
Source Compatibility	YPbPr, PAL/NTSC, S-Video, HDMI, VGA, HD_SDI
Maintenance type	Front & rear



Screen Parameters



Pixel Density	160,000pixels/sqm	Input Voltage	AC90~264V
Ave.Power Consumption	190W/sqm	Working Temperature	0°C~40°C
Max.Power Consumption	490W/sqm	Storing Temperature	-20°C~60°C
Working Humidity	10%-90%R	Color Temperature	3500—9500 (choice by user)
Brightness	800-1000cd/sqm	Viewing Angle	H: 160°/V: 140°
Contrast	4000	IP Grade	IP40/IP21
Color Depth	16bit	Lifespan	100000hrs
Refresh Rate	≥1920Hz	Standard Packing	Wooden case
Repetition Frequency	50/60Hz		

Package



Wooden case



شرکت مهندسی نقش آور دنا
۰۲۱-۸۸۷۵۱۷۲۷



Application

